



LEISTUNGSERKLÄRUNG

Nr. 0003 – DE

1. Eindeutiger Kenncode des Produkttyps: **fischer Einschlaganker EA II**

2. Verwendungszweck(e):

Produkt	Verwendungszweck (e)
Metallanker zur Verwendung in Beton zur Befestigung von leichten Systemen	zur Verwendung in redundanten Systemen zur Befestigung und/oder Verankerung von Bauteilen z.B. leichten abgehängten Decken, sowie von Installationen am bzw. im Beton, siehe Anhang, insbesondere Anhänge B 1 bis B 5

3. Hersteller: **fischerwerke GmbH & Co. KG, Klaus-Fischer-Straße 1, 72178 Waldachtal, Deutschland**

4. Bevollmächtigter: --

5. System(e) zur Bewertung und Überprüfung der Leistungsbeständigkeit: **2+**

6a. Harmonisierte Norm: ---

Notifizierte Stelle(n): ---

6b. Europäisches Bewertungsdokument: **ETAG 001; 2011-01**

Europäische Technische Bewertung: **ETA-07/0142; 2014-11-07**

Technische Bewertungsstelle: **DIBt**

Notifizierte Stelle(n): **1343 – MPA Darmstadt**

7. Erklärte Leistung(en):

Mechanische Festigkeit und Standsicherheit (BWR 1)

Wesentliches Merkmal	Leistung
Charakteristische Werte	Siehe Anhang, insbesondere Anhänge C 1 bis C 3

Brandschutz (BWR 2)

Wesentliches Merkmal	Leistung
Brandverhalten	Der Dübel erfüllt die Anforderungen der Klasse A1
Feuerwiderstand	Siehe Anhang, insbesondere Anhang C 1 bis C 3

8. Angemessene Technische Dokumentation und/oder Spezifische Technische Dokumentation: ---

Die Leistung des vorstehenden Produkts entspricht der erklärten Leistung/den erklärten Leistungen. Für die Erstellung der Leistungserklärung im Einklang mit der Verordnung (EU) Nr. 305/2011 ist allein der obengenannte Hersteller verantwortlich.

Unterzeichnet für den Hersteller und im Namen des Herstellers von:

Andreas Bucher, Dipl.-Ing.

Wolfgang Hengesbach, Dipl.-Ing., Dipl.-Wirtsch.-Ing.

i.V. A. Bucher

i.V. W. Hengesbach

Tumlingen, 2014-11-14

- Diese Leistungserklärung wurde in verschiedenen Sprachversionen erstellt. Für den Fall unterschiedlicher Auslegung hat immer die englische Version Vorrang.
- Der Anhang enthält freiwillige und ergänzende Informationen in englischer Sprache. Diese gehen über die (sprachneutral angegebenen) gesetzlichen Anforderungen hinaus.

Specific Part

1 Technical description of the product

The fischer drop-in anchor EA II is an anchor made of galvanized or stainless steel which is placed into a drilled hole and anchored by deformation-controlled expansion.

The fixture shall be anchored with a fastening screw or threaded rod according to Annex 4.

The product description is given in Annex A.

2 Specification of the intended use in accordance with the applicable European Assessment Document

The performances given in Section 3 are only valid if the anchor is used in compliance with the specifications and conditions given in Annex B.

The verifications and assessment methods on which this European Technical Assessment is based lead to the assumption of a working life of the anchor of at least 50 years. The indications given on the working life cannot be interpreted as a guarantee given by the producer, but are to be regarded only as a means for choosing the right products in relation to the expected economically reasonable working life of the works.

3 Performance of the product and references to the methods used for its assessment

3.1 Mechanical resistance and stability (BWR 1)

Essential characteristic	Performance
Characteristic values	See Annex C

3.2 Safety in case of fire (BWR 2)

Essential characteristic	Performance
Reaction to fire	Anchorage satisfy requirements for Class A1
Resistance to fire	See Annex C

3.3 Hygiene, health and the environment (BWR 3)

Regarding dangerous substances there may be requirements (e.g. transposed European legislation and national laws, regulations and administrative provisions) applicable to the products falling within the scope of this European Technical Assessment. In order to meet the provisions of Regulation (EU) No 305/2011, these requirements need also to be complied with, when and where they apply.

3.4 Safety in use (BWR 4)

The essential characteristics regarding Safety in use are included under the Basic Works Requirement Mechanical resistance and stability.

3.5 Protection against noise (BWR 5)

Not applicable.

3.6 Energy economy and heat retention (BWR 6)

Not applicable.

3.7 Sustainable use of natural resources (BWR 7)

The sustainable use of natural resources was not investigated.

3.8 General aspects

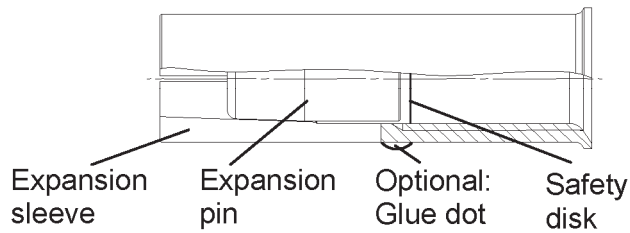
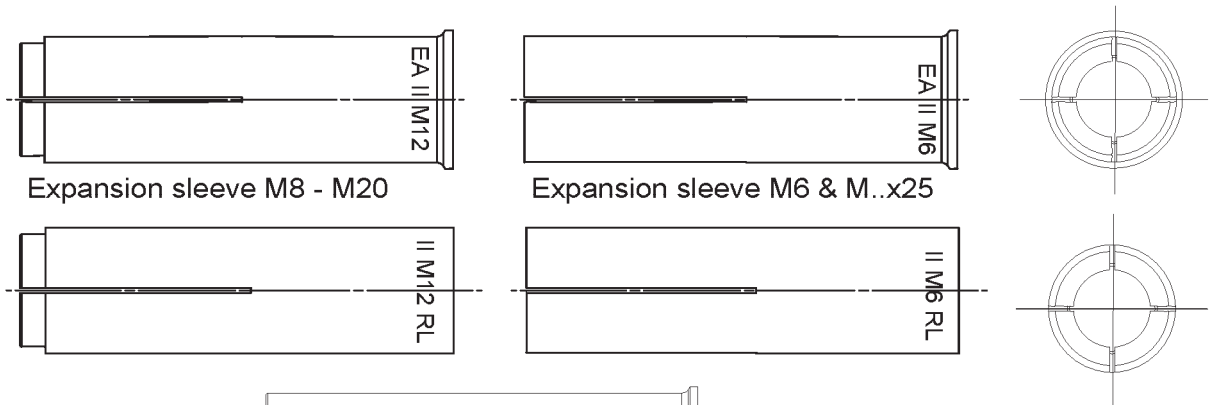
The verification of durability is part of testing the essential characteristics. Durability is only ensured if the specifications of intended use according to Annex B are taken into account.

4 Assessment and verification of constancy of performance (AVCP) system applied, with reference to its legal base

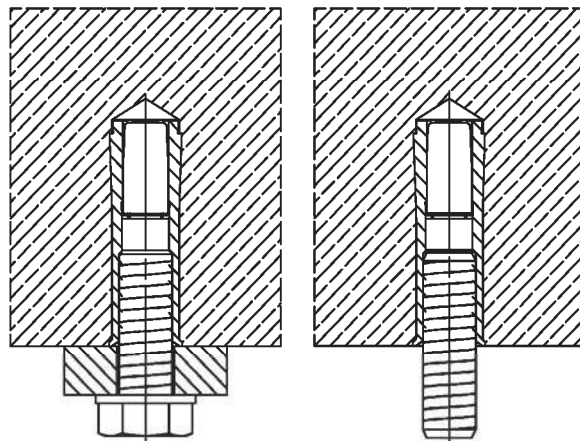
According to Decision of the Commission of 17 February 1997 (97/161/EC) (OJ L 062 of 04.03.97 p. 41-42), the system of assessment and verification of constancy of performance (see Annex V and Article 65 Paragraph 2 to Regulation (EU) No 305/2011) given in the following table applies.

Product	Intended use	Level or class	System
Metal anchors for use in concrete (light-duty type)	For use in redundant systems for fixing and/or supporting to concrete elements such as lightweight suspended ceilings, as well as installations	—	2+

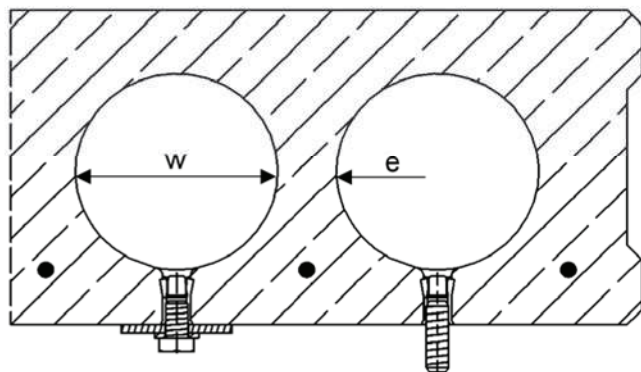
Multiple use for non-structural applications only



Intended use in concrete



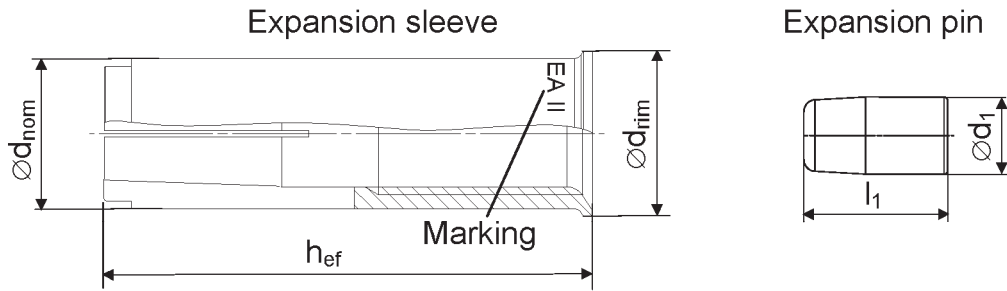
Intended use in precast prestressed hollow concrete slabs ($w/e \leq 4,2$) with a flange thickness ≥ 30 mm and only for $h_{ef} = 25$ mm



fischer drop-in anchor EA II

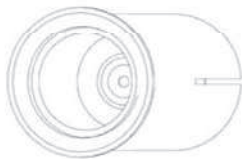
Product description
Installed condition
Anchor types

Annex A 1



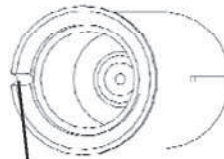
Anchor size EA II	M6x25	M6x30	M8x25	M8x30	M8x40	M10x25	M10x30	M10x40	M12x25	M12x50	M12 D
h_{ef} [mm]	25	30	25	30	40	25	30	40	25	50	50
$\varnothing d_{nom}$ [mm]	8		10			12			15		16
$\varnothing d_{rim}$ [mm]	9,5		11,5			13,5			16,5		17,5
$\varnothing d_1$ [mm]	5		6,5			8,5	8		10		
l_1 [mm]	9	14	8	13,5		9	13,5	18,5	10,5	18,5	

Distinctive feature



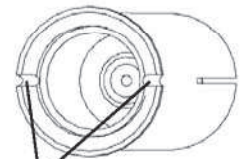
0× groove for:

- EA II M6x30..
- EA II M8x30..
- EA II M10x40..
- EA II M12x50..



1× groove for:

- EA II M6x25..
- EA II M8x25..
- EA II M10x25..
- EA II M12x25..



2× groove for:

- EA II M8x40..
- EA II M10x30..

Marking on anchor body

galvanized steel (gvz)		stainless steel (A4)	
<i>with rim</i>	<i>rimless</i>	<i>with rim</i>	<i>rimless</i>
EA II M6x25	EA II M6x25 RL	EA II M6x30 A4	EA II M6x30 RL A4
EA II M6x30	EA II M6x30 RL	EA II M8x30 A4	EA II M8x30 RL A4
EA II M8x25	EA II M8x25 RL	EA II M8x40 A4	EA II M8x40 RL A4
EA II M8x30	EA II M8x30 RL	EA II M10x30 A4	EA II M10x30 RL A4
EA II M8x40	EA II M8x40 RL	EA II M10x40 A4	EA II M10x40 RL A4
EA II M10x25	EA II M10x25 RL	EA II M12x50 A4	EA II M12x50 RL A4
EA II M10x30	EA II M10x30 RL	EA II M12x50 DA4	EA II M12x50 RL DA4
EA II M10x40	EA II M10x40 RL		
EA II M12x25	EA II M12x25 RL		
EA II M12x50	EA II M12x50 RL		
EA II M12x50 D	EA II M12x50 RLD		

fischer drop-in anchor EA II

Product description
Anchor types

Annex A 2

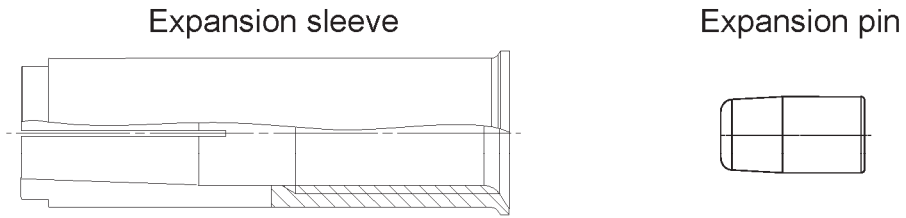


Table A1: Materials

Designation	Material	
	galvanised steel ($\geq 5 \mu\text{m}$)	stainless steel
Expansion sleeve	EN 10277:2008 or EN 10084:2008 or EN 10111:2008 or EN 10263:2001 or EN 10087:1998 or ASTM A29/A29M	EN 10088:2005
Expansion pin		
Fastening screw or threaded rod	steel, property class 4.6, 5.6, 5.8 or 8.8 according to EN ISO 898-1:2012	property class 50, 70 or 80 according EN ISO 3506:2009

fischer drop-in anchor EA II

Product description
Material

Annex A 3

Specifications of intended use

Anchorage subject to:

- Static and quasi-static loads.
- Only to be used for multiple use for non-structural application.
- Fire exposure: only in concrete C12/15 to C50/60, not prestressed hollow concrete slabs.

Base materials:

- Reinforced or unreinforced normal weight concrete according to EN 206-1:2000.
- Strength classes C12/15 to C50/60 according to EN 206-1:2000.
- Precast prestressed hollow concrete slabs with $w/e \leq 4,2$ and strength classes C30/37 to C50/60: M6x25, M8x25, M10x25 and M12x25.
- Cracked concrete and non-cracked concrete: all sizes.

Use conditions (Environmental conditions):

- Structures subject to dry internal conditions (zinc coated steel or stainless steel).
- Structures subject to external atmospheric exposure (including industrial and marine environment) and to permanently damp internal condition, if no particular aggressive conditions exist (stainless steel).

Note: Particular aggressive conditions are e.g. permanent, alternating immersion in seawater or the splash zone of seawater, chloride atmosphere of indoor swimming pools or atmosphere with extreme chemical pollution (e.g. in desulphurization plants or road tunnels where de-icing materials are used).

Design:

- Anchorages are designed under the responsibility of an engineer experienced in anchorages and concrete work.
- Verifiable calculation notes and drawings are prepared taking account of the loads to be anchored. The position of the anchor is indicated on the design drawings (e. g. position of the anchor relative to reinforcement or to supports, etc.).
- Anchorages under static or quasi-static actions are designed in accordance with: ETAG 001, Annex C, design method B and C, Edition August 2010.
- Fasteners are only to be used for multiple use for non-structural application, according to: ETAG 001 Part 6, Edition August 2010.
- Anchorages under fire exposure are designed in accordance with: EOTA Technical Report TR 020, Edition May 2004.

Installation:

- Anchor installation carried out by appropriately qualified personnel and under the supervision of the person responsible for technical matters of the site.
- The anchor may only be used once.
- Anchor expansion by impact using the setting tools given in Annex B 4. The anchor is properly set if the stop of the setting tool reaches the expansion sleeve. The manual setting tool with installation control leaves a visible mark on the sleeve, as illustrated in Annex B 5.

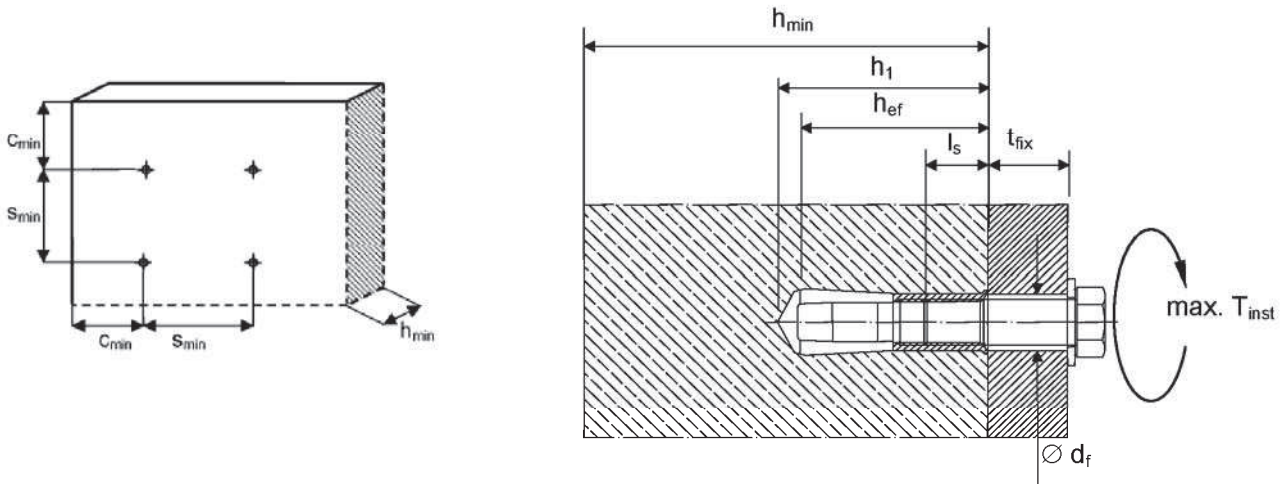
fischer drop-in anchor EA II

Annex B 1

Intended Use
Specifications

Table B1: Installation parameters for concrete C12/15 to C50/60

Anchor size			M6		M8			M10			M12		M12D
Nominal drill hole diameter	d_0	[mm]	8		10			12			15		16
Effective anchorage depth	h_{ef}	[mm]	25	30	25	30	40	25	30	40	25	50	50
Maximum installation torque	max. T_{inst}	[Nm]	4		8			15			35		
Minimum drill hole depth	h_1	[mm]	27	32	27	33	43	27	33	43	27	54	54
Minimum screw-in depth	$l_{s,min}$	[mm]	6		8			10			12		
Maximum screw-in depth	$l_{s,max}$	[mm]	14		14			14		17	14	22	
Clearance hole diameter	$\varnothing d_f$	[mm]	7		9			12			14		
$h_{min} = 80$ mm													
Minimum spacing	S_{min}	[mm]	30	70	70	110	200	80	200	100	-	-	
Minimum edge distance	C_{min}	[mm]	60	150	100	150		120	150	130	-	-	
$h_{min} = 100$ mm													
Minimum spacing	S_{min}	[mm]	30	65	50	70	60	90	150	100	-	200	
Minimum edge distance	C_{min}	[mm]	60	115	100	115	100	160	180	110	-	200	
$h_{min} = 120$ mm													
Minimum spacing	S_{min}	[mm]	30	65	50	70	60	85	95	100	-	145	
Minimum edge distance	C_{min}	[mm]	60	115	100	115	100	140	150	110	-	200	



Fastening screw or threaded rod:

- Minimum property class and materials according to table A1.
- The length of the fastening screw or threaded rod shall be determined depending on thickness of fixture t_{fix} , admissible tolerances and maximum screw length $l_{s,max}$ as well as minimum screw-in depth $l_{s,min}$.

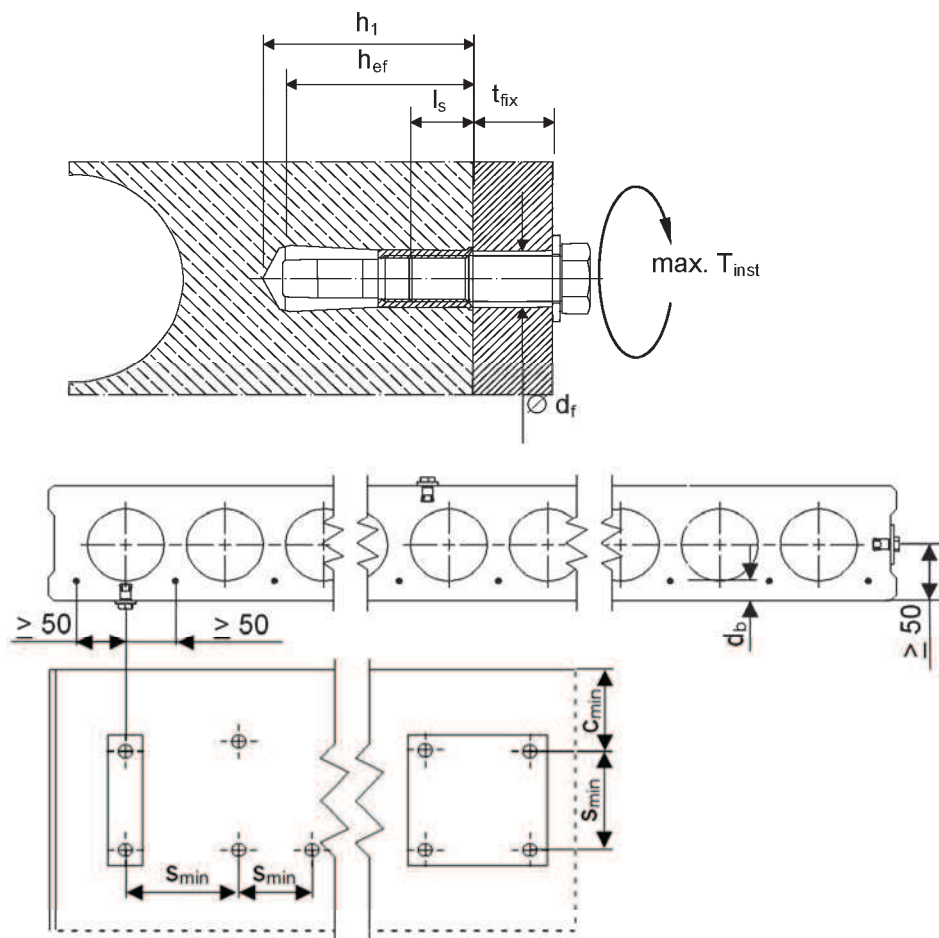
fischer drop-in anchor EA II

Intended Use
Installation parameters

Annex B 2

Table B2: Installation parameters for precast prestressed hollow concrete slabs

Anchor size			M6	M8	M10	M12
Nominal drill hole diameter	d_0	[mm]	8	10	12	15
Effective anchorage depth	h_{ef}	[mm]	25			
Maximum installation torque	max. T_{inst}	[Nm]	4	8	15	35
Minimum drill hole depth	h_1	[mm]	27			
Minimum screw-in depth	$l_{s,min}$	[mm]	6	8	10	12
Maximum screw-in depth	$l_{s,max}$	[mm]	14			
Clearance hole diameter	$\varnothing d_f$	[mm]	7	9	12	14
Minimum spacing	$s_{min} = s_{cr}$	[mm]	200			
Minimum edge distance	$c_{min} = c_{cr}$	[mm]	150			



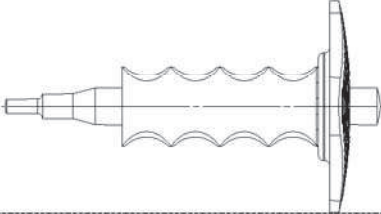
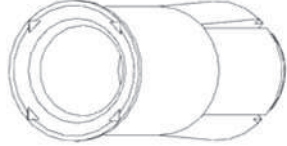

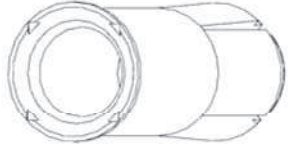

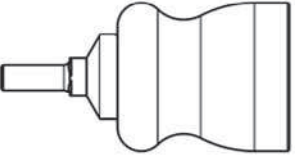
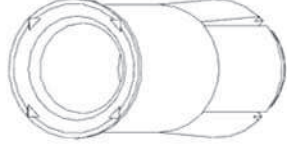
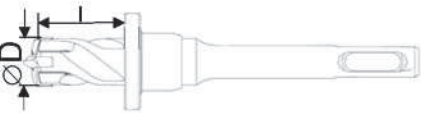
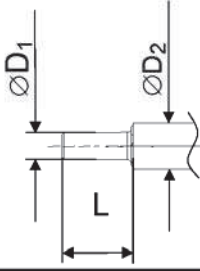
Fastening screw or threaded rod:

- Minimum property class and materials according to table A1.
- The length of the fastening screw or threaded rod shall be determined depending on thickness of fixture t_{fix} , admissible tolerances and maximum screw length $l_{s,max}$ as well as minimum screw-in depth $l_{s,min}$.

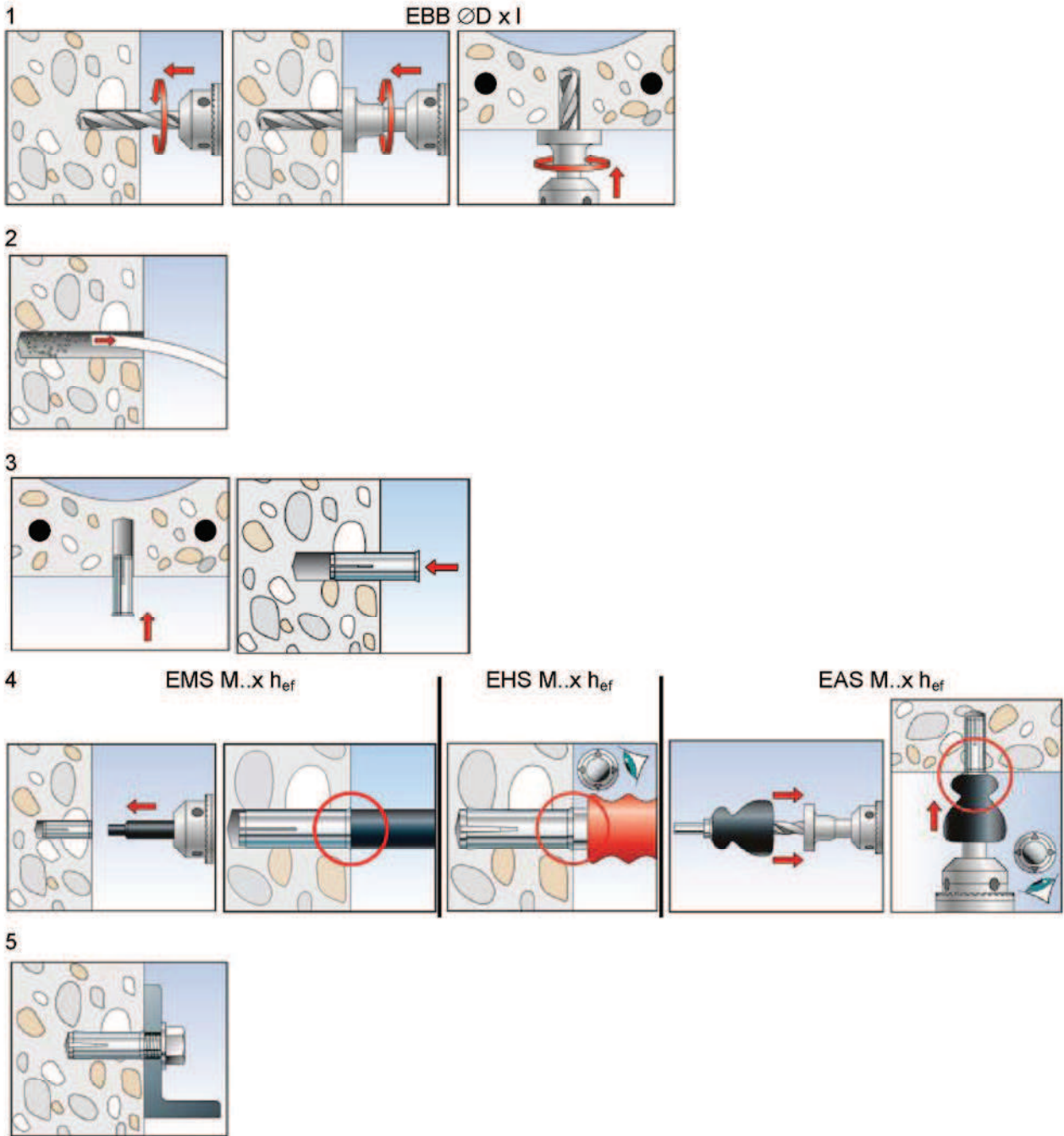
fischer drop-in anchor EA II

Intended Use
Installation parameters

Annex B 3

Setting & drilling tools							
Setting tools	Marking	Description	Marking on EA II with rim and rimless				
	EHS Plus M..x h _{ef}	Manual setting tool with hand guard					
	EHS M..x h _{ef}	Manual setting tool basic format					
	EMS M..x h _{ef}	Machine setting tool with SDS Plus	No marking				
	EAS M..x h _{ef}	Slip-on setting tool for stop drill					
Drilling tools							
	EBB ∅D x l	Stop drill					
Or other usual drillers							
Table B3: Parameters of setting tools							
Manual setting tool	Machine setting tool	Slip-on setting tool	Stop drill	For anchor size	∅ D ₁	∅ D ₂	L
EHS M6x25/30	EMS M6x25/30	EAS M6x25/30	EBB 8x25 EBB 8x30	EA II M6x25 EA II M6x30	4,8	9,0	17,0
EHS M8x25/30	EMS M8x25/30	EAS M8x25/30	EBB 10x25 EBB 10x30	EA II M8x25 EA II M8x30	6,4	11,0	18,0
EHS M8x40	EMS M8x40	EAS M8x40	EBB 10x40	EA II M8x40	6,4	11,0	28,0
EHS M10x25/30	EMS M10x25/30	EAS M10x25/30	EBB 12x25 EBB 12x30	EA II M10x25 EA II M10x30	7,9	13,0	18,0
EHS M10x40	EMS M10x40	EAS M10x40	EBB 12x40	EA II M10x40	7,9	13,0	24,0
EHS M12x25	EMS M12x25	EAS M12x25	EBB 15x25	EA II M12x25	10,2	16,5	15,2
EHS M12x50	EMS M12x50	EAS M12x50	EBB 15x50	EA II M12x50	10,2	16,5	30,0
fischer drop-in anchor EA II						Annex B 4	
Intended Use Setting & Drilling tools							

Installation instructions



No.	Description
1	Create drill hole.
2	Clean from drill-dust.
3	Set anchor till anchor is flush with surface of concrete.
4	Expand the sleeve by driving the pin into the sleeve and control the correct setting.
5	Fixation of fixture with max. T_{inst} .

fischer drop-in anchor EA II

Intended Use
Installation instructions

Annex B 5

Table C1: Characteristic values in concrete according to design method B C12/15 to C50/60

Anchor size		Property class screw / rod	M6		M8			M10			M12/M12D	
Effective anchorage depth	h_{ef} [mm]		25	30	25	30	40	25	30	40	25	50
All load directions												
Characteristic resistance C12/15	F_{RK}^0 [kN]	$\geq A4-50$	-	2	-	3	-	3	5	-	6	
		≥ 4.6	1,5	2	2	3		3	5	3	6	
Characteristic resistance C20/25 to C50/60	F_{RK}^0 [kN]	$\geq A4-50$	-	3	-	5	-	5	7,5	-	9	
		≥ 4.6	2	3	3	5	4	5	7,5	4	9	
Partial safety factor	$\gamma_M^{(2)}$		1,5 ⁽³⁾	1,8 ⁽⁴⁾	1,5 ⁽³⁾	1,8 ⁽⁴⁾	1,5 ⁽³⁾	1,8 ⁽⁴⁾		1,5 ⁽³⁾		
Characteristic spacing	s_{cr} [mm]		75	90	75	90	120	75	90	200	75	300
Characteristic edge distance	c_{cr} [mm]		38	45	38	45	60	38	45	100	38	150
Steel failure with lever arm												
Characteristic resistance	$M_{RK,s}^0$ [Nm]	A4-50	-	8	-	19	-	37	-	66		
Partial safety factor	$\gamma_{Ms}^{(2)}$		2,38									
Characteristic resistance	$M_{RK,s}^0$ [Nm]	A4-70	-	11	-	26	-	52	-	92		
Partial safety factor	$\gamma_{Ms}^{(2)}$		1,56									
Characteristic resistance	$M_{RK,s}^0$ [Nm]	A4-80	-	12	-	30	-	60	-	105		
Partial safety factor	$\gamma_{Ms}^{(2)}$		1,33									
Characteristic resistance	$M_{RK,s}^0$ [Nm]	4.6	6,1		15		30		52			
Partial safety factor	$\gamma_{Ms}^{(2)}$		1,67									
Characteristic resistance	$M_{RK,s}^0$ [Nm]	5.6	7,6		19		37		66			
Partial safety factor	$\gamma_{Ms}^{(2)}$		1,67									
Characteristic resistance	$M_{RK,s}^0$ [Nm]	5.8	7,6		19		37		66			
Partial safety factor	$\gamma_{Ms}^{(2)}$		1,25									
Characteristic resistance	$M_{RK,s}^0$ [Nm]	8.8	12		30		60		105			
Partial safety factor	$\gamma_{Ms}^{(2)}$		1,25									

- 1) The anchor is to be used only for multiple use for non-structural applications, the definition of multiple use according to the Member States is given in the informative Annex 1 of ETAG 001 Part 6 (see: www.eota.eu).
- 2) In absence of other national regulations.
- 3) The installation factor $\gamma_2 = 1,0$ is included.
- 4) The installation factor $\gamma_2 = 1,2$ is included.
- 5) Characteristic bending moment $M_{RK,s}^0$ for the equation (5.5) in ETAG 001, Annex C.

fischer drop-in anchor EA II

Performances
Characteristic values for tension loads in concrete according to design method B

Annex C 1

Table C2: Characteristic values precast prestressed hollow concrete slabs according to design method C with C30/37 to C50/60

Anchor size		Property class screw / rod	M6	M8	M10	M12
Effective anchorage depth	h_{ef} [mm]			25		
All Load directions		galvanised steel; with rim				
Flange thickness	d_b [mm]		≥ 35 ⁴⁾			
Characteristic resistance C30/37 to C50/60	F_{RK} ¹⁾ [kN]		2	3	4	4
Partial safety factor	γ_{Ms} ²⁾		1,5 ⁵⁾			
Characteristic spacing	$s_{cr} = s_{min}$ [mm]		200			
Characteristic edge distance	$c_{cr} = c_{min}$ [mm]		150			
Steel failure with lever arm						
Characteristic resistance	$M^0_{RK,s}$ ³⁾ [Nm]	4.6	6,1	15	30	52
Partial safety factor	γ_{Ms} ²⁾		1,67			
Characteristic resistance	$M^0_{RK,s}$ ³⁾ [Nm]	5.6	7,6	19	37	66
Partial safety factor	γ_{Ms} ²⁾		1,67			
Characteristic resistance	$M^0_{RK,s}$ ³⁾ [Nm]	5.8	7,6	19	37	66
Partial safety factor	γ_{Ms} ²⁾		1,25			
Characteristic resistance	$M^0_{RK,s}$ ³⁾ [Nm]	8.8	12	30	60	105
Partial safety factor	γ_{Ms} ²⁾		1,25			

¹⁾ The anchor is to be used only for multiple use for non-structural applications, the definition of multiple use according to the Member States is given in the informative Annex 1 of ETAG 001 Part 6 (see: www.eota.eu).

²⁾ In absence of other national regulations.

³⁾ Characteristic bending moment $M^0_{RK,s}$ for the equation (5.5) in ETAG 001, Annex C.

⁴⁾ The anchor may be used in a flange thickness of 30 mm with the same characteristic resistance, but the drill hole must not cut a cavity.

⁵⁾ The installation factor $\gamma_2 = 1,0$ is included

fischer drop-in anchor EA II

Performances

Characteristic values for tension loads in hollow core slabs according to design method C

Annex C 2

Table C3: Characteristic resistance under fire exposure in concrete C12/15 to C50/60

fire resistance class	EA II	property class	M6x25 ⁴⁾	M6x30	M8x25 ⁴⁾	M8x30	M8x40	M10x25 ⁴⁾	M10x30	M10x40	M12x25 ⁴⁾	M12x50/ M12x50D
			All load directions									
R 30	Characteristic resistance $F_{Rk,fi}^0$ [kN] C20/25 ³⁾	steel ≥ 4.6 or $\geq A4-50$ ²⁾	0,5	0,6	0,9	1,3	0,6	0,9	1,8	0,6	2,3	
R 60			0,5	0,6	0,9	0,6	0,9	1,5	0,6	2,3		
R 90			0,4	0,6			0,9	0,6	2,0			
R 120			0,3	0,5			0,6	0,5	1,3			
R 30 – R 120	Characteristic spacing $s_{cr,fi}$ [mm]		100	120	100	120	160	100	120	160	100	200
	Characteristic edge distance $c_{cr,fi}$ [mm]		50	115	50	140	140	50	140	160	50	200

¹⁾ In absence of other national regulations, a partial safety factor for the resistance of $\gamma_{m,fi}=1,0$ under fire stress is recommended.

²⁾ Not for M..x25.

³⁾ For C12/15: Characteristic resistance C20/25 x 0,77.

⁴⁾ The data is not valid for precast prestresses hollow core slabs.

fischer drop-in anchor EA II

Performances
Characteristic loads for fire resistances

Annex C 3