

ICC-ES Evaluation Report

ESR-2948

Reissued January 2024

This report also contains:

- CBC Supplement


Subject to renewal January 2026

- FBC Supplement

- LABC Supplement

ICC-ES Evaluation Reports are not to be construed as representing aesthetics or any other attributes not specifically addressed, nor are they to be construed as an endorsement of the subject of the report or a recommendation for its use. There is no warranty by ICC Evaluation Service, LLC, express or implied, as to any finding or other matter in this report, or as to any product covered by the report.

Copyright © 2024 ICC Evaluation Service, LLC. All rights reserved.

<p>DIVISION: 03 00 00— CONCRETE</p> <p>Section: 03 16 00— Concrete Anchors</p> <p>DIVISION: 05 00 00— METALS</p> <p>Section: 05 05 19—Post- Installed Concrete Anchors</p>	<p>REPORT HOLDER:</p> <p>fischerwerke GmbH & CO. KG</p>	<p>EVALUATION SUBJECT:</p> <p>fischer FAZ II, FAZ II R, FAZ II HCR AND FAZ II PLUS, FAZ II PLUS R AND FAZ II PLUS HCR METRIC WEDGE ANCHOR FOR ANCHORING IN CRACKED AND UNCRACKED CONCRETE</p>	
--	---	---	---

1.0 EVALUATION SCOPE

Compliance with the following codes:

- 2021, 2018, 2015, and 2012 [International Building Code® \(IBC\)](#)
- 2021, 2018, 2015, and 2012 [International Residential Code® \(IRC\)](#)
- 2013 *Abu Dhabi International building Code (ADIBC)*[†]

[†]The ADIBC is based on the 2009 IBC. 2009 IBC code sections referenced in this report are the same sections in the ADIBC.

For evaluation for compliance with codes adopted by the Los Angeles Department of Building and Safety (LADBS), see [ESR-2948 LABC and LARC Supplement](#).

Property evaluated:

- Structural

2.0 USES

The fischer FAZ II and FAZ II Plus metric wedge anchor is used to resist static, wind and seismic tension and shear loads in cracked and uncracked normal-weight and lightweight concrete having a specified compressive strength, f'_c , of 2,500 psi to 8,500 psi (17.2 MPa to 58.6 MPa) [minimum of 24 MPa is required under ADIBC Appendix L, Section 5.1.1].

The fischer FAZ II and FAZ II Plus anchor complies with anchors installed in hardened concrete as described in Section 1901.3 of 2021, 2018 and 2015 IBC, and Section 1909 of the 2012 IBC. The anchor system is an alternative to cast-in-place anchors described in Section 1908 of the 2012 IBC. The anchors may also be used where an engineered design is submitted in accordance with Section R301.1.3 of the IRC.

3.0 DESCRIPTION

3.1 fischer FAZ II and FAZ II Plus:

3.1.1 General: The fischer FAZ II wedge anchor is a torque-controlled, mechanical expansion anchor as shown in [Figure 1](#) of this report. The FAZ II consists of four components as shown in [Figure 2](#). The anchor may be manufactured from carbon steel (FAZ II), and stainless steels (FAZ II R and FAZ II HCR). The FAZ II Plus (and FAZ II Plus R and FAZ II Plus HCR) have the same geometry and coatings as the FAZ II but have a higher steel strength compared to the FAZ II.

All carbon steel parts have a minimum 5 μm (0.0002 inch) zinc plating according to EN ISO 4042. Dimensions and installation criteria are set forth in [Tables 1](#) and [2](#) of this report.

Application of torque at the hexagon nut of the anchor causes the cone part to be drawn into the expansion clip. This in turn causes the clip to expand against the wall of the drilled hole. Application of the specified installation torque induces a tension force in the bolt that is equilibrated by a precompression force in the concrete acting through the component being fastened. Application of tension loads that exceed the precompression force in the bolt will cause the cone to displace further into the expansion clip (follow-up expansion), generating additional expansion force.

3.1.2 FAZ II and FAZ II Plus: The anchor consists of a bolt with cone, steel washer, steel hexagon nut and steel expansion clip. The anchor FAZ II and FAZ II Plus are available in diameters from M8 through M24. The material specifications are as follows:

- Cone bolt: Carbon steel complying with EN 10263.
- Washer: Carbon steel complying with EN 10139.
- Expansion clip: Carbon steel complying with EN 10139.
- Hexagon nut: Carbon steel, complying with EN 20898-2, Grade 8.8.

3.1.3 FAZ II R and FAZ II Plus R: The anchor FAZ II R and FAZ II Plus R are available in diameters from M8 through M24. The FAZ II R and FAZ II Plus R have the same geometry and comparable functional coatings to the FAZ II and FAZ II Plus, respectively; with the exception of the material specifications, which are as follows:

- Cone bolt: Stainless steel complying with EN 10088.
- Washer: Stainless steel complying with EN 10088.
- Expansion clip: Stainless steel complying with EN 10088.
- Hexagon nut: Stainless steel complying with EN 10088, ISO 2506-2, Grade 70.

3.1.4 FAZ II HCR and FAZ II Plus HCR: The anchors FAZ II HCR and FAZ II Plus HCR are available in diameters from M8 through M16. The FAZ II HCR and FAZ II Plus HCR have an improved corrosion resistance compared to the FAZ II R and FAZ II Plus R and the same geometry and comparable functional coatings to the FAZ II and FAZ II Plus, with the exception of the material specifications, which are as follows:

- Cone bolt: Stainless steel complying with EN 10088.
- Washer: Stainless steel complying with EN 10088.
- Expansion clip: Stainless steel complying with EN 10088.
- Hexagon nut: Stainless steel complying with EN 10088, ISO 3506-2, Grade 70.

3.2 Concrete:

Normal-weight and lightweight concrete must comply with Sections 1903 and 1905 of the IBC, as applicable.

4.0 DESIGN AND INSTALLATION

4.1 Strength Design:

4.1.1 General: Design strength of anchors complying with the 2021 IBC, as well as Section R301.1.3 of the 2021 IRC must be determined in accordance with ACI 318-19 Chapter 17 and this report.

Design strength of anchors complying with the 2018 and 2015 IBC, as well as Section R301.1.3 of the 2018 and 2015 IRC must be determined in accordance with ACI 318-14 Chapter 17 and this report.

Design strength of anchors complying with the 2012 IBC, as well as Section R301.1.3 of the 2012 IRC, must be in accordance with ACI 318-11 Appendix D and this report.

Design parameters are based on the 2021 IBC (ACI 318-19), 2018 and 2015 IBC (ACI 318-14) and the 2012 IBC (ACI 318-11) unless noted otherwise in Sections 4.1.1 through 4.1.12 of this report. The strength design of anchors must comply with ACI 318-19 17.5.1.2, ACI 318-14 17.3.1 or ACI 318-11 D.4.1, as applicable, except as required in ACI 318-19 17.10, ACI 318-14 17.2.3 or ACI 318-11 D.3.3.

Strength reduction factors, ϕ , as given in ACI 318-19 17.5.3, ACI 318-14 17.3.3 or ACI 318-11 D.4.3, as applicable, must be used for load combinations calculated in accordance with Section 1605.1 of the 2021 IBC or Section 1605.2 of the 2018, 2015, and 2012 IBC and Section 5.3 of ACI 318 (-19 and -14) or Section 9.2 of ACI 318-11, as applicable. Strength reduction factors, ϕ , as given in ACI 318-11 D.4.4 must be used for load combinations calculated in accordance with ACI 318-11 Appendix C.

The value of f'_c used in the calculations must be limited to 8,000 psi (55.2 MPa), maximum, in accordance with ACI 318-19 17.3.1, ACI 318-14 17.2.7 or ACI 318-11 D.3.7, as applicable. Strength reduction factors, ϕ ,

corresponding to ductile steel elements may be used except for the FAZ II and FAZ II Plus M20 and M24 carbon steel anchors in tension and shear, which have a strength reduction factor corresponding to brittle steel elements.

4.1.2 Requirements for Static Steel Strength in Tension, N_{sa} : The nominal steel strength of a single anchor in tension must be calculated in accordance with ACI 318-19 17.6.1.2, ACI 318-14 17.4.1.2 or ACI 318-11 D.5.1.2, as applicable. The values for N_{sa} are given in [Tables 3, 4, and 5](#) of this report. Strength reduction factors, ϕ , corresponding to ductile elements may be used except for the FAZ II and FAZ II Plus M20 and M24 carbon steel anchors, which have a strength reduction factor corresponding to brittle steel elements.

4.1.3 Requirements for Static Concrete Breakout Strength in Tension, N_{cb} and N_{cbg} : The nominal concrete breakout strength of a single anchor or group of anchors in tension, N_{cb} and N_{cbg} , respectively, must be calculated in accordance with ACI 318-19 17.6.2, ACI 318-14 17.4.2 or ACI 318-11 D.5.2, as applicable, with modifications as described in this section. The basic concrete breakout strength of a single anchor in tension, N_b , must be calculated in accordance with ACI 318-19 17.6.2.2, ACI 318-14 17.4.2.2 or ACI 318-11 D.5.2.2, as applicable, using the values of $h_{ef,min}$ and K_{cr} as given in [Tables 3, 4, and 5](#) of this report in lieu of h_{ef} and K_c , respectively. The nominal concrete breakout strength in tension in regions where analysis indicates no cracking in accordance with ACI 318-19 17.6.2.5.1, ACI 318-14 17.4.2.6 or ACI 318-11 D.5.2.6, as applicable, must be calculated with $\Psi_{cN} = 1.0$ and using the value of k_{uncr} as given in [Tables 3, 4, and 5](#) of this report.

4.1.4 Requirements for Critical Edge Distance: In applications where $c < c_{ac}$ and supplemental reinforcement to control splitting of the concrete is not present, the concrete breakout strength in tension for uncracked concrete, calculated according to ACI 318-19 17.6.2, ACI 318-14 17.4.2 or ACI 318-11 D.5.2, as applicable, must be further multiplied by the factor $\Psi_{cp,N}$ as given by the following equation:

$$\Psi_{cp,N} = \frac{c}{c_{ac}} \quad (\text{Eq-1})$$

whereby the factor $\Psi_{cp,N}$ need not to be taken as less than $\frac{1.5h_{ef}}{c_{ac}}$. For all other cases $\Psi_{cp,N} = 1.0$. In lieu of ACI 318-19 17.9.5, ACI 318-14 17.7.6 or ACI 318-11 D.8.6, as applicable, values for the critical edge distance c_{ac} provided in [Table 2](#) of this report must be used.

4.1.5 Requirements for Static Pullout Strength in Tension, N_{pn} : The nominal pullout strength of a single anchor in tension in accordance with ACI 318-19 17.6.3.1 and 17.6.3.2.1, ACI 318-14 17.4.3 or ACI 318-11 D.5.3, as applicable, in cracked concrete, $N_{p,cr}$ is given in [Tables 3, 4, and 5](#) of this report. Where values for $N_{p,cr}$ are not provided in [Tables 3, 4, and 5](#), the pullout strength does not need to be calculated. The static pullout strength in uncracked concrete $N_{p,uncr}$ does not govern and does not need to be calculated. For all design cases $\Psi_{c,P} = 1.0$. The nominal pullout strength may be adjusted for concrete strengths according to Eq-2.

$$N_{p,f'c} = N_{p,cr} \sqrt{\frac{f'_c}{2,500}} \quad (\text{lb, psi}) \quad (\text{Eq-2})$$

$$N_{p,f'c} = N_{p,cr} \sqrt{\frac{f'_c}{17.2}} \quad (\text{N, MPa})$$

4.1.6 Requirements for Static Steel Strength in Shear, V_{sa} : The values of V_{sa} for a single anchor given in [Tables 3, 4, and 5](#) of this report must be used in lieu of the values of V_{sa} as derived by calculation in ACI 318-19 Eq. 17.7.1.2b, ACI 318-14 17.5.1.2 (b) or ACI 318-11 D.6.1.2 (b), as applicable, in shear. Strength reduction factors, ϕ , corresponding to ductile elements must be used except for the FAZ II and FAZ II Plus M20 and M24 carbon steel anchors, which have a strength reduction factor corresponding to brittle steel elements.

4.1.7 Requirements for Static Concrete Breakout Strength in Shear, V_{cb} or V_{cbg} : The nominal concrete breakout strength of a single anchor or group of anchors in shear, V_{cb} or V_{cbg} , respectively, must be calculated in accordance with ACI 318-19 17.7.2, ACI 318-14 17.5.2 or ACI 318-11 D.6.2, as applicable, with modifications as described in this section. The basic concrete breakout strength of a single anchor in shear, V_b , must be calculated in accordance with ACI 318-19 17.7.2.2.1, ACI 318-14 17.5.2.2 or ACI 318-11 D.6.2.2, as applicable, using the value of l_e and d_o (d_a) given in [Tables 3, 4, and 5](#). The value of l_e used in ACI 318-19 Eq. 17.7.2.2.1a, ACI 318-14 Eq. 17.5.2.2a or ACI 318-11 Eq. D-33 must be taken as no greater than the lesser of h_{ef} or $8d_a$.

4.1.8 Requirements for Static Concrete Pryout Strength in Shear, V_{cp} or V_{cpg} : The nominal concrete pryout strength of a single anchor or group of anchors in shear, V_{cp} or V_{cpg} , must be calculated in accordance with ACI 318-19 17.7.3, ACI 318-14 17.5.3 or ACI 318-11 D.6.3, as applicable, modified by using the value of K_{cp} provided in [Tables 3, 4, and 5](#) and the value of N_{cb} or N_{cbg} as calculated in accordance with Section 4.1.3 of this report.

4.1.9 Requirements for Minimum Member Thickness, Minimum Anchor Spacing and Minimum Edge Distance: In lieu of ACI 318-19 17.9.4, ACI 318-14 17.7.5 or ACI 318-11 D.8.5, as applicable, minimum member thickness, $h_{a,min}$, must comply with [Table 2](#) of this report. In lieu of ACI 318-19 17.9.2, ACI 318-14 17.7.1 and 17.7.3, or ACI 318-11 D.8.1 and D.8.3, respectively, as applicable, minimum spacing and minimum edge distance, s_{min} and c_{min} , must comply with [Table 2](#) of this report. Intermediate values between s_{min} and c_{min} may be calculated by linear interpolation.

4.1.10 Requirements for Seismic Design:

4.1.10.1 General: For load combinations including seismic, the design must be performed according to ACI 318-19 17.10, ACI 318-14 17.2.3 or ACI 318-11 D.3.3, as applicable. Modification to ACI 318-19 17.10 shall be applied under Section 1905.1.8 of the 2021 IBC. Modifications to ACI 318-14 17.2.3 shall be applied under Section 1905.1.8 of the 2018 and 2015 IBC. For the 2012 IBC, Section 1905.1.9 shall be omitted.

The anchors comply with ACI 318 (-19 and -14) 2.3 or ACI 318-11 D.1, as applicable, as ductile steel elements, and must be designed in accordance with ACI 318-19 17.10.4, 17.10.5, 17.10.6, and 17.10.7; ACI 318-14 17.2.3.4, 17.2.3.5, 17.2.3.6 or 17.2.3.7; or ACI 318-11 D.3.3.4, D.3.3.5, D.3.3.6 or D.3.3.7, as applicable, except for the FAZ II and FAZ II Plus M20 and M24 carbon-steel anchors, which must be designed in accordance with ACI 318-19 17.10.5, ACI 318-14 17.2.3.5 or 17.2.3.6; or ACI 318-11 Section D.3.3.5 or D.3.3.6, as applicable, as brittle steel elements. The anchors may be installed in Seismic Design Categories A through F of the IBC.

4.1.10.2 Seismic Tension: The nominal steel strength and nominal concrete breakout strength for anchors in tension must be calculated according to ACI 318-19 17.6.1 and 17.6.2, ACI 318-14 17.4.1 and 17.4.2 or ACI 318-11 D.5.1 and D.5.2, respectively, as described in Sections 4.1.2 and 4.1.3 of this report. In accordance with ACI 318-19 17.6.3.2.1, ACI 318-14 17.4.3.2 or ACI 318 D.5.3.2, as applicable, the value for pullout strength in tension for seismic loads, N_{eq} , described in [Tables 3, 4, and 5](#) of this report, must be used in lieu of N_p . The values of N_{eq} may be adjusted for concrete strength as follows:

$$N_{eq,f'_c} = N_{eq} \sqrt{\frac{f'_c}{2,500}} \quad (\text{IMP units}) \quad (\text{Eq-3})$$

$$N_{eq,f'_c} = N_{eq} \sqrt{\frac{f'_c}{17.2}} \quad (\text{SI units})$$

If no values of N_{eq} are given in [Tables 3, 4, and 5](#), the static design strength values for pullout failure govern. (See Section 4.1.5 of this report.)

4.1.10.3 Seismic Shear: The nominal concrete breakout strength and pryout strength for anchors in shear must be calculated according to ACI 318-19 17.7.2 and 17.7.3, ACI 318-14 17.5.2 and 17.5.3 or ACI 318-11 D.6.2 and D.6.3, respectively, as applicable, as described in Sections 4.1.7 and 4.1.8 of this report. In accordance with ACI 318-19 17.7.1.2, ACI 318-14 17.5.1.2 or ACI 318-11 D.6.1.2, as applicable, the appropriate value for nominal steel strength in shear for seismic loads, V_{eq} , described in [Tables 3, 4, and 5](#) of this report, must be used in lieu of V_{sa} . Strength reduction factors, ϕ , corresponding to ductile elements must be used except for the FAZ II and FAZ II Plus M20 and M24 carbon steel anchors, which have a strength reduction factor corresponding to brittle steel elements.

4.1.11 Requirements for Interaction of Tensile and Shear Forces: For loadings that include combined tension and shear, the design must be performed in accordance with ACI 318-19 17.8, ACI 318-14 17.6 or ACI 318-11 D.7, as applicable.

4.1.12 Lightweight Concrete: For the use of anchors in lightweight concrete, the modification factor λ_a equal to 0.8λ is applied to all values of $\sqrt{f'_c}$ affecting N_n and V_n .

For ACI 318-19 (2021 IBC), ACI 318-14 (2018 and 2015 IBC) and ACI 318-11 (2012 IBC), λ shall be determined in accordance with the corresponding version of ACI 318.

4.2 Allowable Stress Design (ASD):

4.2.1 General: Design values for use with allowable stress design load combinations calculated in accordance with Section 1605.1 of the 2021 IBC or Section 1605.3 of the 2018, 2015 and 2012 IBC shall be established using Eq-4 and Eq-5:

$$T_{allowable,ASD} = \frac{\phi N_n}{\alpha} \quad (\text{Eq-4})$$

and

$$V_{allowable,ASD} = \frac{\phi V_n}{\alpha} \quad (\text{Eq-5})$$

where:

$T_{allowable,ASD}$ = Allowable tension load [lbf or kN]

$V_{allowable,ASD}$ = Allowable shear load [lbf or kN]

ϕN_n = Lowest design strength of an anchor or anchor group in tension as determined in accordance with ACI 318 (-19 and -14) Chapter 17 and 2021, 2018 and 2015 IBC Section 1905.1.8, ACI 318-11 Appendix D, and Section 4.1 of this report, as applicable (lbf or kN).

ϕV_n = Lowest design strength of an anchor or anchor group in shear as determined in accordance with ACI 318 (-19 and -14) Chapter 17 and 2021, 2018 and 2015 IBC Section 1905.1.8, ACI 318-11 Appendix D, and Section 4.1 of this report, as applicable (lbf or kN).

α = Conversion factor calculated as a weighted average of the load factors for the controlling load combination. In addition, α must include all applicable factors to account for nonductile failure modes and required over-strength.

An example of allowable stress design values for illustrative purposes is shown in [Table 6](#).

4.2.2 Interaction of Tensile and Shear Forces: The interaction must be calculated in accordance and consistent with ACI 318-19 17.8, ACI 318-14 17.6 or ACI 318 -11 D.7, as applicable, as follows:

For shear loads $V_{applied} \leq 0.2 V_{allowable,ASD}$, the full allowable load in tension $T_{allowable,ASD}$ must be permitted.

For tension loads $T_{applied} \leq 0.2 T_{allowable,ASD}$, the full allowable load in shear $V_{allowable,ASD}$ must be permitted.

For all other cases, Eq-6 applies:

$$\frac{T_{applied}}{T_{allowable,ASD}} + \frac{V_{applied}}{V_{allowable,ASD}} \leq 1.2 \quad (\text{Eq-6})$$

4.3 Installation:

Installation parameters are provided in [Table 2](#) and in [Figure 1](#) and [3](#) of this report. Anchor locations must be in accordance with this report and the plans and specifications approved by the code official. The FAZ II and FAZ II Plus anchors must be installed according to the manufacturer's published instructions and this report. Anchors must be installed in holes drilled into the concrete using carbide-tipped masonry drill bits complying with the requirements of [Table 2](#) of this report. The minimum drilled hole depth, embedment, spacing and edge distances, and member thickness are given in [Table 2](#). The predrilled hole must be cleaned free of dust and debris using a hand pump, compressed air or a vacuum. The anchor must be hammered into the predrilled hole until the proper nominal embedment depth is achieved. The nut must be tightened against the washer until the torque values T_{inst} specified in [Table 2](#) of this report are achieved.

4.4 Special Inspection:

Periodic special inspection is required, in accordance with Section 1705.1.1 and Table 1705.3 of the 2021, 2018, 2015 and 2012 IBC, as applicable. The special inspector must make periodic inspections during anchor installation to verify anchor type, anchor dimensions, concrete type, concrete compressive strength, hole dimensions, hole cleaning procedures, anchor spacing(s), edge distance(s), concrete member thickness, anchor embedment depth, tightening torque and adherence to the manufacturer's printed installation instructions. The special inspector must be present as often as required in accordance with the "statement of special inspection." Under the IBC, additional requirements as set forth in Sections 1705, 1706 and 1707 must be observed, where applicable.

5.0 CONDITIONS OF USE:

The FAZ II and FAZ II Plus anchors described in this report comply with, or are suitable alternatives to what is specified in the codes listed in Section 1.0 of this report, subject to the following conditions:

- 5.1 Anchor sizes, dimensions and installation parameters are as set forth in this report.
- 5.2 The anchors must be installed in accordance with the manufacturer's printed installation instructions and this report. In case of a conflict, this report governs.
- 5.3 Anchors must be installed in cracked and uncracked normal-weight or lightweight concrete having a specified compressive strength, f'_c of 2,500 psi to 8,500 psi (17.2 MPa to 58.6 MPa) [minimum of 24 MPa is required under ADIBC Appendix L, Section 5.1.1].
- 5.4 The values of f'_c used for calculation purposes shall not exceed 8,000 psi (55.2 MPa).
- 5.5 Strength design values must be established in accordance with Section 4.1 of this report.
- 5.6 Allowable stress design values must be established in accordance with Section 4.2.
- 5.7 Anchor spacing(s) and edge distance(s) as well as minimum member thickness must comply with [Table 2](#).

- 5.8 Prior to installation, calculations and details demonstrating compliance with this report must be submitted to the code official. The calculations and details must be prepared by a registered design professional where required by the statutes of the jurisdiction in which the project is to be constructed.
- 5.9 Since an ICC-ES acceptance criteria for evaluating data to determine the performance of expansion anchors subjected to fatigue or shock loading is unavailable at this time, the use of these anchors under such conditions is beyond the scope of this report.
- 5.10 Anchors may be installed in regions of concrete where cracking has occurred or where analysis indicates cracking may occur ($f_i > f_r$), subject to the conditions of this report.
- 5.11 Anchors may be used to resist short-term loading due to wind or seismic forces in locations designated as Seismic Design Categories A through F of the IBC, subject to the conditions of this report.
- 5.12 Where not otherwise prohibited in the code, FAZ II and FAZ II Plus anchors are permitted for use with fire-resistance-rated construction provided that at least one of the following conditions is fulfilled:
 - Anchors are used to resist wind or seismic forces only.
 - Anchors that support a fire-resistance-rated envelope or a fire-resistance-rated membrane are protected by approved fire-resistance-rated materials or have been evaluated for resistance to fire exposure in accordance with recognized standards.
 - Anchors are used to support nonstructural elements.
- 5.13 Use of zinc-coated carbon steel anchors is limited to dry, interior locations.
- 5.14 Special inspection must be provided in accordance with Section 4.4 of this report.
- 5.15 Anchors are manufactured by fischerwerke in Waldachtal, Germany, or in Ivanovice na Hane, Czech Republic, under an approved quality-control program with inspections by ICC-ES.

6.0 EVIDENCE SUBMITTED

Data in accordance with the [ICC-ES Acceptance Criteria for Mechanical Anchors in Concrete Elements \(AC193\)](#), dated October 2017, editorially revised December, 2020, for use in cracked and uncracked concrete; and quality-control documentation.

7.0 IDENTIFICATION

- 7.1 The ICC-ES mark of conformity, electronic labeling, or the evaluation report number (ICC-ES ESR-2948) along with the name, registered trademark, or registered logo of the report holder must be included in the product label.
- 7.2 In addition, the anchors can be identified on the packaging label with the manufacturer’s address, anchor name, and anchor size. The “fish” symbol, the letters FAZ II or FAZ II +, the material (blank, R or HCR), the anchor diameter and the maximum fixing thickness are stamped on each anchor.
- 7.3 The report holder’s contact information is the following:

fischerwerke GmbH & Co. KG
KLAUS-FISCHER-STRASSE 1
72178 WALDACHTAL
GERMANY
(+49 7443) 12-4322
www.fischer-international.com

TABLE 1—LENGTH LETTER-CODE ON THE DOG POINT OF THE CONE BOLT AND MAXIMUM THICKNESS OF FIXTURE t_{fix} : FAZ II AND FAZ II PLUS M8-M24

marking		(A)	(B)	(C)	(D)	(E)	(F)	(G)	(H)	(I)	(K)	(L)	(M)
max t_{fix}	[mm]	5	10	15	20	25	30	35	40	45	50	60	70
max t_{fix}	[in.]	0.20	0.39	0.59	0.79	0.98	1.18	1.38	1.57	1.77	1.97	2.36	2.76

marking		(N)	(O)	(P)	(R)	(S)	(T)	(U)	(V)	(W)	(X)	(Y)	(Z)
max t_{fix}	[mm]	80	90	100	120	140	160	180	200	250	300	350	400
max t_{fix}	[in.]	3.15	3.54	3.94	4.72	5.51	6.30	7.09	7.87	9.84	11.81	13.78	15.75

TABLE 2—INSTALLATION INFORMATION¹

Characteristic	Symbol	Unit	FAZ II, FAZ II R, FAZ II HCR, FAZ II PLUS, FAZ II PLUS R, FAZ II PLUS HCR					
			M8	M10	M12	M16	M20	M24
Nominal drill bit diameter ²	d_{bit}	mm	8	10	12	16	20	24
Cutting diameter of drill bit	$d_{bit,min}$	mm	8.05	10.05	12.10	16.10	20.10	24.10
	$d_{bit,max}$	mm	8.45	10.45	12.50	16.50	20.55	24.55
Minimum drill hole depth	h_{hole}	mm	55	75	90	110	125	155
		in.	2.17	2.95	3.54	4.33	4.92	6.10
Minimum diameter of clearance hole in the fixture	d_f	mm	9	12	14	18	22	26
		in.	0.35	0.47	0.55	0.71	0.87	1.02
Required installation torque	T_{inst}	Nm	20	45	60	110	200	270
		ft-lbf	15	33	44	81	148	199
Minimum effective anchorage depth	$h_{ef} \geq$	mm	45	60	70	85	100	125
		in.	1.77	2.36	2.76	3.35	3.94	4.92
Minimum concrete member thickness	$h_{a,min}$	mm	80	100	120	140	160	200
		in.	3.15	3.94	4.72	5.51	6.30	7.87
Minimum nominal embedment depth ⁵	$h_{nom} \leq$	mm	55	75	90	110	125	155
		in.	2.17	2.95	3.54	4.33	4.92	6.10
Wrench socket size	-	mm	13	17	19	24	30	36
Washer diameter	$d_w \geq$	mm	15	19	23	29	36	43
		in.	0.59	0.75	0.91	1.14	1.42	1.69
Minimum spacing for concrete strength f'_c of \geq 2,900 psi to 8,500 psi (20 MPa to 58.6 MPa) ³	s_{min}	mm	35	40	50	80	125	150
		in.	1.38	1.57	1.97	3.15	4.92	5.91
	For $c_a \geq$	mm	70	100	90	130	220	230
		in.	2.76	3.94	3.54	5.12	8.66	9.06
Minimum edge distance for concrete strength f'_c of \geq 2,900 psi to 8,500 psi (20 MPa to 58.6 MPa) ³	c_{min}	mm	40	60	60	65	125	135
		in.	1.57	2.36	2.36	2.56	4.92	5.32
	For $s_a \geq$	mm	100	90	120	180	230	235
		in.	3.94	3.54	4.72	7.09	9.06	9.25
Minimum spacing for concrete strength f'_c of 2,500 psi to 2,900 psi (17 MPa to 20 MPa) ³	s_{min}	mm	39	44	55	88	138	165
		in.	1.52	1.73	2.17	3.47	5.41	6.50
	for $c_a \geq$	mm	77	110	90	143	242	253
		in.	3.04	4.33	3.89	5.63	9.53	9.67
Minimum edge distance for concrete strength f'_c of 2,500 psi to 2,900 psi (17 MPa to 20 MPa) ³	c_{min}	mm	44	66	66	72	138	149
		in.	1.73	2.60	2.60	2.82	5.41	5.85
	for $s_a \geq$	mm	110	99	132	198	253	259
		in.	4.33	3.90	5.20	7.80	9.96	10.20
Critical edge distance	c_{ac}	mm	120	160	165	180	220	260
		in.	4.72	6.30	6.50	7.09	8.66	10.24
Maximum thickness of fixture ⁴	t_{fix}	\geq	mm	0	0	0	0	0
		in.	0	0	0	0	0	0
	\leq	mm	200	250	300	400	500	600
		in.	7.87	9.84	11.81	15.75	19.69	23.62
Length of anchor ⁴	L_{min}	mm	67	85	100	125	140	174
		in.	2.64	3.35	3.94	4.92	5.51	6.85
	L_{max}	mm	267	335	400	525	640	774
		in.	10.51	13.19	15.75	20.67	25.20	30.47

For pound-inch units: 1 mm = 0.03937 inches, 1 Nm = 0.7376 ft-lbf.

¹All specifications excluding manufacturing tolerances.

²Use metric bits only.

³Intermediate values for s_{min} and c_{min} can be calculated by linear interpolation.

⁴Use of the two lines only in conjunction, intermediate values can be calculated $L = L_{min} + t_{fix}$

⁵ h_{nom} given is before anchor tightening.

TABLE 3—DESIGN INFORMATION FAZ II

Design parameter	SYMBOL	Units	FAZ II					
			M8	M10	M12	M16	M20	M24
Outside diameter of anchor	d_a	mm	7.8	9.8	11.8	15.7	19.7	23.5
		in.	0.31	0.39	0.47	0.62	0.78	0.93
Effective min. embedment depth ¹	$h_{ef,min}$	mm	45	60	70	85	100	125
		in.	1.77	2.36	2.76	3.35	3.94	4.92
Anchor category ²	1,2 or 3	-	1					
Strength reduction factor for tension, steel failure modes	ϕ	-	0.75 ³				0.65 ⁴	
Strength reduction factor for shear, steel failure modes	ϕ	-	0.65 ³				0.60 ⁴	
Strength reduction factor for tension, concrete failure modes ^{5,6}	ϕ	Cond.A	0.75					
		Cond.B	0.65					
Strength reduction factor for shear, concrete failure modes ^{5,6}	ϕ	Cond.A	0.75					
		Cond.B	0.70					
Yield strength of anchor steel, neck and thread	f_{ya}	N/mm ²	560				520	544
		lbf/in. ²	80,287				74,552	77,993
Ultimate strength of anchor steel, neck and thread	f_{uta}	N/mm ²	700				650	680
		lbf/in. ²	100,358				93,190	97,491
Tensile stress area	$A_{se,N}$	mm ²	19.6	34.2	52.8	85.0	147.4	219.0
		in. ²	0.030	0.053	0.082	0.132	0.228	0.340
Steel strength in tension ^{3,4}	N_{sa}	kN	13.7	23.9	37.0	59.5	95.8	148.9
		lbf	3,080	5,373	8,317	13,376	21,536	33,474
Effectiveness factor cracked concrete	k_{cr}	SI	7.1	7.1	7.1	10.0	8.8	8.8
		Imp	17	17	17	24	21	21
Effectiveness factor uncracked concrete	k_{unscr}	SI	10.0	10.0	11.3	11.3	11.3	11.3
		Imp	24	24	27	27	27	27
Modification factor for uncracked concrete ⁷	$\Psi_{c,N}$	-	1.0	1.0	1.0	1.0	1.0	1.0
Pullout strength uncracked concrete ⁸	$N_{p,unscr}$	not decisive						
Pullout strength cracked concrete ⁸	$N_{p,cr}$	kN	5.7	11.8	not decisive	23.7	30.2	not decisive
		lbf	1,281	2,653	not decisive	5,327	6,789	not decisive
Tension pullout strength seismic ⁸	N_{eq}	kN	5.7	11.0	not decisive			
		lbf	1,281	2,675	not decisive			
Shear stress area	$A_{se,V}$	mm ²	36.6	58.0	84.3	156.7	244.8	352.5
		in. ²	0.057	0.090	0.131	0.243	0.379	0.546
Steel strength in shear, static	V_{sa}	kN	11	19	31	61	70	86
		lbf	2,473	4,271	6,969	13,714	15,737	19,334
Steel strength in shear, seismic	V_{eq}	kN	10	17	28	52	62	68
		lb	2,248	3,822	6,295	11,690	13,938	15,286
Coefficient for pryout strength	k_{cp}	[-]	1			2		
Effective length of anchor in shear loading	l_e	mm	45	60	70	85	100	125
		inch	1.77	2.36	2.76	3.35	3.94	4.92
Axial stiffness in service load range cracked concrete	$\beta_{m,cr}$	kN/mm	5	7	14	18	20	29
		10 ³ lbf/in	29	40	79	97	109	159
Axial stiffness in service load range uncracked concrete	$\beta_{m,unscr}$	kN/mm	15	21	29	42	45	46
		10 ³ lbf/in	80	113	159	228	242	248

¹Figure 2 illustrates the location of $h_{ef,min}$.

²See Section 4.1.1 of this report.

³The FAZ II anchors M8-M16 carbon steel are considered a ductile steel element as defined by ACI 318 (-19 and -14) 2.3 or ACI 318-11 D.1, as applicable.

⁴The FAZ II anchors M20-M24 carbon-steel are considered a brittle steel element as defined by ACI 318 (-19 and -14) 2.3 or ACI 318-11 D.1, as applicable.

⁵The strength reduction factor applies when the load combinations from the IBC or ACI 318 are used and the requirements of ACI 318-19 17.5.3, ACI 318-14 17.3.3 or ACI 318-11 D.4.3, as applicable, are met. If the load combinations of ACI 318-11 Appendix C are used, the appropriate strength reduction factor must be determined in accordance with ACI 318-11 D.4.4.

⁶Anchors are permitted to be used in lightweight concrete provided that the provisions in accordance with Section 4.1.12 of this report are taken into account.

⁷The value $\Psi_{c,N} = 1.0$ for all design cases.

⁸As described in Section 4.1.5 of this report, pullout resistance is only critical for the sizes M8, M10, M16 and M20 in cracked concrete.

TABLE 4— DESIGN INFORMATION FAZ II R AND FAZ II HCR

Design parameter	SYMBOL	Units	FAZ II R, FAZ II HCR					
			M8	M10	M12	M16	M20	M24
Outside diameter of anchor	d_a	mm	7.8	9.8	11.8	15.7	19.7	23.5
		in.	0.31	0.39	0.47	0.62	0.78	0.93
Effective min. embedment depth ¹	$h_{ef,min}$	mm	45	60	70	85	100	125
		in.	1.77	2.36	2.76	3.35	3.94	4.92
Anchor category ²	1,2 or 3	-	1					
Strength reduction factor for tension, steel failure modes ⁴	ϕ	-	0.75 ³					
Strength reduction factor for shear, steel failure modes ⁴	ϕ	-	0.65 ³					
Strength reduction factor for tension, concrete failure modes ⁴	ϕ	Cond.A	0.75					
		Cond.B	0.65					
Strength reduction factor for shear, concrete failure modes ⁴	ϕ	Cond.A	0.75					
		Cond.B	0.70					
Yield strength of anchor steel, neck and thread	f_{ya}	N/mm ²	560					
		lbf/in. ²	80,287					
Ultimate strength of anchor steel, neck and thread	f_{uta}	N/mm ²	700					
		lbf/in. ²	100,358					
Tensile stress area	$A_{se,N}$	mm ²	19.6	34.2	52.8	85.0	147.4	219.0
		in. ²	0.030	0.053	0.082	0.132	0.228	0.340
Steel strength in tension ³	N_{sa}	kN	13.7	23.9	37.0	59.5	102.9	148.9
		lbf	3,080	5,373	8,317	13,376	23,132	33,474
Effectiveness factor cracked concrete	k_{cr}	SI	7.1	7.1	7.1	10.0	8.8	8.8
		Imp	17	17	17	24	21	21
Effectiveness factor uncracked concrete	k_{unscr}	SI	10.0	10.0	11.3	11.3	11.3	11.3
		Imp	24	24	27	27	27	27
Modification factor for uncracked concrete ⁵	$\Psi_{c,N}$	-	1.0	1.0	1.0	1.0	1.0	1.0
Pullout strength uncracked concrete ⁶	$N_{p,unscr}$		not decisive					
Pullout strength cracked concrete ⁶	$N_{p,cr}$	kN	5.7	11.8	not decisive	23.7	30.2	not decisive
		lbf	1,281	2,653		5,327	6,789	
Tension pullout strength seismic ⁸	N_{eq}	kN	5.7	11.0	not decisive			
		lbf	1,281	2,675				
Shear stress area	$A_{se,V}$	mm ²	36.6	58.0	84.3	156.7	244.8	352.5
		in. ²	0.057	0.090	0.131	0.243	0.379	0.546
Steel strength in shear, static	V_{sa}	kN	13	21	36	72	105	130
		lbf	2,922	47,208	80,928	16,186	23,604	29,224
Steel strength in shear, seismic	V_{eq}	kN	10	17	28	60	80	80
		lb	2,248	3,822	6,294	13,488	17,984	17,984
Coefficient for pryout strength	k_{cp}	[-]	1			2		
Effective length of anchor in shear loading	l_e	mm	45	60	70	85	100	125
		inch	1.77	2.36	2.76	3.35	3.94	4.92
Axial stiffness in service load range cracked concrete	$\beta_{m,cr}$	kN/mm	5	7	14	18	20	29
		10 ³ lbf/in	29	40	79	97	109	159
Axial stiffness in service load range uncracked concrete	$\beta_{m,unscr}$	kN/mm	15	21	29	42	45	46
		10 ³ lbf/in	80	113	159	228	242	248

¹Figure 2 illustrates the location of $h_{ef,min}$.

²See Section 4.1.1 of this report.

³The FAZ II anchors M8-M24 stainless steel (R) and M8-M16 stainless steel (HCR) are considered a ductile steel element as defined by ACI 318 (-19 and -14) 2.3 or ACI 318-11 D.1, as applicable.

⁴The strength reduction factor applies when the load combinations from the IBC or ACI 318 are used and the requirements of ACI 318-19 17.5.3, ACI 318-14 17.3.3 or ACI 318-11 D.4.3, as applicable, are met. If the load combinations of ACI 318-11 Appendix C are used, the appropriate strength reduction factor must be determined in accordance with ACI 318-11 D.4.4.

⁴Anchors are permitted to be used in lightweight concrete provided that the provisions in accordance with Section 4.1.12 of this report are taken into account.

⁵The value $\Psi_{c,N} = 1.0$ for all design cases.

⁶As described in Section 4.1.5 of this report, pullout resistance is only critical for the sizes M8, M10, M16 and M20 in cracked concrete.

TABLE 5—DESIGN INFORMATION FAZ II PLUS, FAZ II PLUS R, AND FAZ II PLUS HCR

Design parameter	SYMBOL	Units	FAZ II Plus, FAZ II Plus R, FAZ II Plus HCR					
			M8	M10	M12	M16	M20	M24
Outside diameter of anchor	d_a	mm	7.8	9.8	11.8	15.7	19.7	23.5
		in.	0.31	0.39	0.47	0.62	0.78	0.93
Effective min. embedment depth ¹	$h_{ef,min}$	mm	45	60	70	85	100	125
		in.	1.77	2.36	2.76	3.35	3.94	4.92
Anchor category ²	1,2 or 3	-	1					
Strength reduction factor for tension, steel failure modes	ϕ	-	0.75 ³				0.65 ⁴	
							0.75 ³	
Strength reduction factor for shear, steel failure modes	ϕ	-	0.65 ³				0.60 ⁴	
							0.65 ³	
Strength reduction factor for tension, concrete failure modes ^{5,6}	ϕ	Cond.A	0.75					
		Cond.B	0.65					
Strength reduction factor for shear, concrete failure modes ^{5,6}	ϕ	Cond.A	0.75					
		Cond.B	0.70					
Yield strength of anchor steel, neck and thread	f_{ya}	N/mm ²	624	632	608	616	520	616
		lbf/in. ²	89,462	90,609	87,168	88,315	75,420	88,315
Ultimate strength of anchor steel, neck and thread	f_{uta}	N/mm ²	780	790	760	770	650	770
		lbf/in. ²	111,828	113,261	108,960	110,394	94,275	110,394
Tensile stress area	$A_{se,N}$	mm ²	19.6	34.2	52.8	85.0	147.4	219.0
		in. ²	0.030	0.053	0.082	0.132	0.228	0.340
Steel strength in tension ^{3,4}	N_{sa}	kN	15.3	27.0	40.1	65.5	95.8	168.6
		lbf	3,437	6,074	9,021	14,714	21,539	37,910
Effectiveness factor cracked concrete	k_{cr}	SI	7.1	7.1	7.1	10.0	8.8	8.8
		Imp	17	17	17	24	21	21
Effectiveness factor uncracked concrete	k_{uncr}	SI	10.0	10.0	11.3	11.3	11.3	11.3
		Imp	24	24	27	27	27	27
Modification factor for uncracked concrete ⁷	$\Psi_{c,N}$	-	1.0	1.0	1.0	1.0	1.0	
Pullout strength uncracked concrete ⁸	$N_{p,uncr}$		not decisive					
Pullout strength cracked concrete ⁸	$N_{p,cr}$	kN	5.7	11.8	not decisive	23.7	30.2	not decisive
		lbf	1,281	2,653		5,327	6,789	
Tension pullout strength seismic ⁸	N_{eq}	kN	5.7	11.0	not decisive			
		lbf	1,281	2,675				
Shear stress area	$A_{se,V}$	mm ²	36.6	58.0	84.3	156.7	244.8	352.5
		in. ²	0.057	0.090	0.131	0.243	0.379	0.546
FAZ II Plus Steel strength in shear, static	V_{sa}	kN	12	20	32	65	70	94
		lbf	2,698	4,496	7,194	14,612	15,737	21,132
FAZ II Plus Steel strength in shear, seismic	V_{eq}	kN	11	18	28	57	62	74
		lbf	2,473	4,046	6,294	12,814	13,938	16,636
FAZ II Plus R and FAZ II Plus HCR Steel strength in shear, static	V_{sa}	kN	15	24	37	78	97	130
		lbf	3,372	5,395	8,318	17,534	21,806	29,225
FAZ II Plus R and FAZ II Plus HCR Steel strength in shear, seismic	V_{eq}	kN	10	18	26	62	62	70
		lb	2,248	4,047	5,845	13,938	13,938	15,737
Coefficient for pryout strength	k_{cp}	[-]	1			2		
Effective length of anchor in shear loading	l_e	mm	45	60	70	85	100	125
		inch	1.77	2.36	2.76	3.35	3.94	4.92
Axial stiffness in service load range cracked concrete	$\beta_{m,cr}$	kN/mm	5	7	14	18	20	29
		10 ³ lbf/in	29	40	79	97	109	159
Axial stiffness in service load range uncracked concrete	$\beta_{m,uncr}$	kN/mm	15	21	29	42	45	46
		10 ³ lbf/in	80	113	159	228	242	248

¹Figure 2 illustrates the location of $h_{ef,min}$.

²See Section 4.1.1 of this report.

³The FAZ II Plus anchors M8-M16 and FAZ II Plus anchors M8-M24 stainless steel (R) and M8-M16 stainless steel (HCR) are considered a ductile steel element as defined by ACI 318 (-19 and -14) 2.3 or ACI 318-11 D.1, as applicable.

⁴The FAZ II Plus anchors M20-M24 carbon-steel are considered a brittle steel element as defined by ACI 318 (-19 and -14) 2.3 or ACI 318-11 D.1, as applicable.

⁵The strength reduction factor applies when the load combinations from the IBC or ACI 318 are used and the requirements of ACI 318-19 17.5.3, ACI 318-14 17.3.3 or ACI 318-11 D.4.3, as applicable, are met. If the load combinations of ACI 318-11 Appendix C are used, the appropriate strength reduction factor must be determined in accordance with ACI 318-11 D.4.4.

⁶Anchors are permitted to be used in lightweight concrete provided that the provisions in accordance with Section 4.1.12 of this report are taken into account.

⁷The value $\Psi_{c,N} = 1.0$ for all design cases.

⁸As described in Section 4.1.5 of this report, pullout resistance is only critical for the sizes M8, M10, M16 and M20 in cracked concrete.

TABLE 6—EXAMPLE ALLOWABLE STRESS DESIGN VALUES FOR ILLUSTRATIVE PURPOSES

Anchor type FAZ II, FAZ II R, FAZ II HCR FAZ II PLUS, FAZ II PLUS R, FAZ II PLUS HCR	Effective Embedment depth h_{ef} inch (mm)	Allowable Tension Load Lbf (kN)
M8	1.77	1,236
	(45)	(5.50)
M10	2.36	1,904
	(60)	(8.47)
M12	2.76	2,713
	(70)	(12.07)
M16	3.35	3,631
	(85)	(16.15)
M20	3.94	4,631
	(100)	(20.60)
M24	4.92	6,473
	(125)	(28.79)

For SI: 1 inch = 25.4 mm, 1 lbf = 4.45 N

Design Assumptions:

¹Single anchor with static tension load only

²Concrete determined to remain uncracked for the life of the anchorage

³Load combinations from ACI 318 (-19 and -14) 5.3 or ACI 318-11 9.2, as applicable (no seismic loading)

⁴30% dead load and 70% live load, controlling load combination 1.2 D + 1.6 L

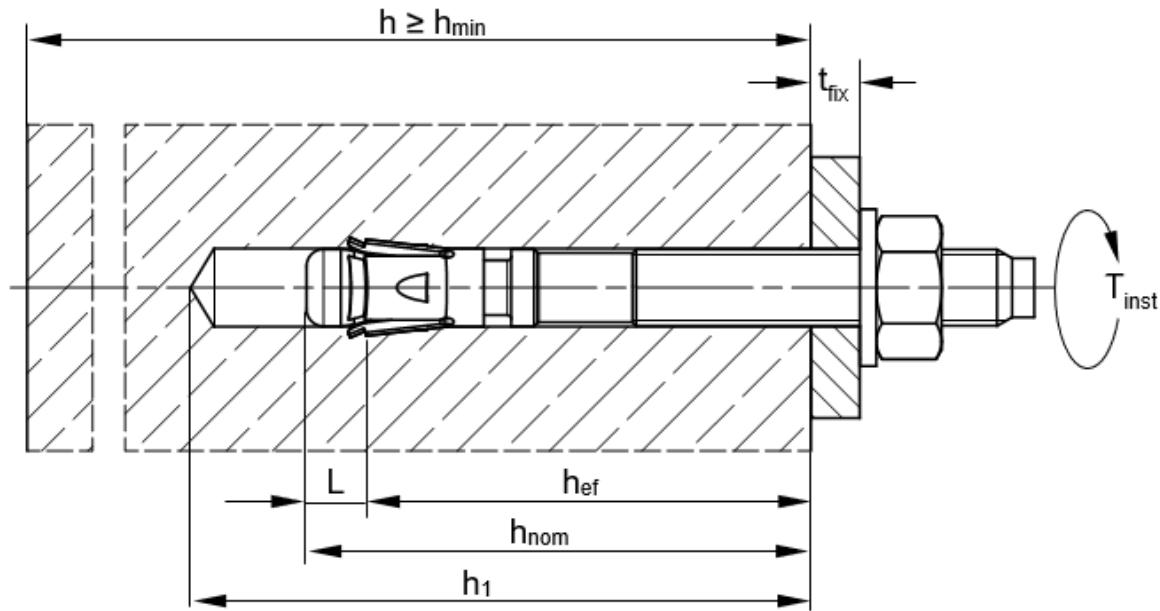
⁵Calculation of weighted average for $\alpha = 0.3 \times 1.2 + 0.7 \times 1.6 = 1.48$

⁶ $f_c = 2,500$ psi (17.2 MPa) (normal weight concrete)

⁷ $h \geq h_{min}$

⁸No supplementary reinforcement is present (Condition B) according to ACI 318-19 17.5.3, ACI 318-14 17.3.3 or ACI 318-11 D.4.3, as applicable, where

⁹ $C_{a1} = C_{a2} \geq C_{ac}$



h_{ef} = Effective embedment depth

t_{fix} = Thickness of the fixture

h_1 = Depth of drill hole to deepest point

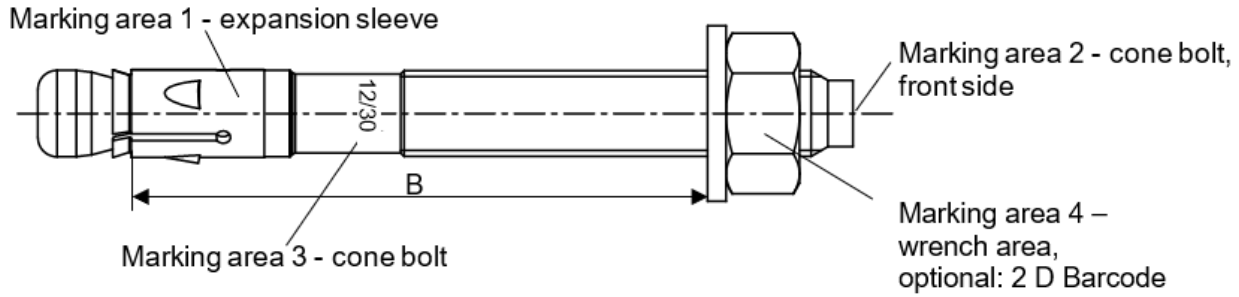
h = Thickness of the concrete member

h_{min} = Minimum thickness of concrete member

h_{nom} = Overall fastener embedment depth in the concrete

L = Length from h_{ef} to end of cone bolt

FIGURE 1—INSTALLED ANCHOR FAZ II AND FAZ II PLUS



Product marking, example: FAZ II + 12/30 R

Brand | type of fastener placed at marking area 1 or 3 Thread size / max. thickness of the fixture (t_{fix}) identification R or HCR placed at marking area 1 or 3

- FAZ II Plus: carbon steel, galvanized
- FAZ II Plus R: stainless steel
- FAZ II Plus HCR: high corrosion resistant steel

FIGURE 2—MARKING AND COMPONENTS OF THE FAZ II AND FAZ II PLUS

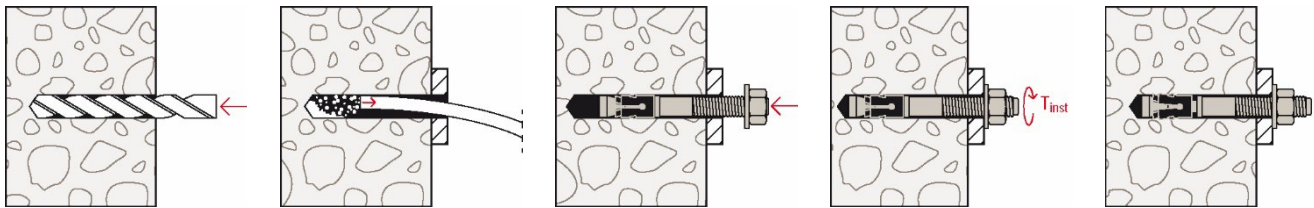


FIGURE 3—INSTALLATION OF THE FAZ II AND FAZ II PLUS

- Step 1:** Drill the hole by using the correct metric bit diameter (see [Table 2](#)), drill hole to minimum required hole depth h_{hole} (see [Table 2](#)) or deeper
- Step 2:** Remove drilling debris with a blowout bulb, compressed air, or by vacuum.
- Step 3:** Using a hammer, tap the anchor through the part being fastened into the drilled hole until the washer is in contact with the fastened part. Make sure that the minimum required effective anchorage depth (h_{ef}) is kept and that the maximum thickness of fixture (t_{fix}) is not exceeded.
- Step 4:** Using a torque wrench, apply the specified installation torque T_{inst} (see [Table 2](#))

DIVISION: 03 00 00—CONCRETE

Section: 03 16 00—Concrete Anchors

DIVISION: 05 00 00—METALS

Section: 05 05 19—Post-Installed Concrete Anchors

REPORT HOLDER:

fischerwerke GmbH & Co. KG

EVALUATION SUBJECT:

fischer FAZ II, FAZ II R, FAZ II HCR AND FAZ II PLUS, FAZ II PLUS R AND FAZ II PLUS HCR METRIC WEDGE ANCHOR FOR ANCHORING IN CRACKED AND UNCRACKED CONCRETE

1.0 REPORT PURPOSE AND SCOPE

Purpose:

The purpose of this evaluation report supplement is to indicate that the fischer FAZ II, FAZ II R, FAZ II HCR, and FAZ II Plus, FAZ II Plus R and FAZ II Plus HCR metric wedge anchors in cracked and uncracked concrete, described in ICC-ES evaluation report [ESR-2948](#), have also been evaluated for compliance with the codes noted below as adopted by the Los Angeles Department of Building and Safety (LADBS).

Applicable code editions:

- 2023 *City of Los Angeles Building Code* (LABC)
- 2023 *City of Los Angeles Residential Code* (LARC)

2.0 CONCLUSIONS

The the fischer FAZ II, FAZ II R, FAZ II HCR, and FAZ II Plus, FAZ II Plus R and FAZ II Plus HCR metric wedge anchors in cracked and uncracked concrete, described in Sections 2.0 through 7.0 of the evaluation report [ESR-2948](#), comply with the LABC Chapter 19, and the LARC, and are subject to the conditions of use described in this supplement.

3.0 CONDITIONS OF USE

The the fischer FAZ II, FAZ II R, FAZ II HCR, and FAZ II Plus, FAZ II Plus R and FAZ II Plus HCR metric wedge anchors in cracked and uncracked concrete described in this evaluation report must comply with all of the following conditions:

- All applicable sections in the evaluation report [ESR-2948](#).
- The design, installation, conditions of use and identification of the anchors are in accordance with the 2021 *International Building Code*® (2018 IBC) provisions noted in the evaluation report [ESR-2948](#).
- The design, installation and inspection are in accordance with additional requirements of LABC Chapters 16, 17, and the City of Los Angeles Information Bulletin P/BC 2020-092, as applicable.
- Under the LARC, an engineered design in accordance with LARC Section R301.1.3 must be submitted.
- The allowable and strength design values listed in the evaluation report and tables are for the connection of the anchors to the concrete. The connection between the anchors and the connected members shall be checked for capacity (which may govern).
- For use in wall anchorage assemblies to flexible diaphragm applications, anchors shall be designed per the requirements of City of Los Angeles Information Bulletin P/BC 2017-071.

This supplement expires concurrently with the evaluation report, reissued January 2024.

DIVISION: 03 00 00—CONCRETE**Section: 03 16 00—Concrete Anchors****DIVISION: 05 00 00—METALS****Section: 05 05 19—Post-installed Concrete Anchors****REPORT HOLDER:**

fischerwerke GmbH & CO. KG

EVALUATION SUBJECT:**fischer FAZ II, FAZ II R, FAZ II HCR AND FAZ II PLUS, FAZ II PLUS R AND FAZ II PLUS HCR METRIC WEDGE ANCHOR FOR ANCHORING IN CRACKED AND UNCRACKED CONCRETE****1.0 REPORT PURPOSE AND SCOPE****Purpose:**

The purpose of this evaluation report supplement is to indicate that the fischer FAZ II, FAZ II R, FAZ II HCR, and FAZ II Plus, FAZ II Plus R and FAZ II Plus HCR metric wedge anchors, described in ICC-ES evaluation report ESR-2948, have also been evaluated for compliance with the codes noted below.

Applicable code edition(s):

- 2022 California Building Code (CBC)

For evaluation of applicable chapters adopted by the California Office of Statewide Health Planning and Development (OSHPD) AKA: California Department of Health Care Access and Information (HCAI), and the Division of State Architect (DSA), see Sections 2.1.1 and 2.1.2 below.

- 2022 California Residential Code (CRC)

2.0 CONCLUSIONS**2.1 CBC:**

The fischer FAZ II, FAZ II R, FAZ II HCR, and FAZ II Plus, FAZ II Plus R and FAZ II Plus HCR metric wedge anchors, described in Sections 2.0 through 7.0 of the evaluation report ESR-2948, complies with CBC Chapter 19, provided the design and installation are in accordance with the 2021 *International Building Code*® (IBC) provisions noted in the evaluation report and the additional requirements of CBC Chapters 16, 17 and 19, as applicable.

2.1.1 OSHPD:

The applicable OSHPD Sections of the CBC are beyond the scope of this supplement.

2.1.2 DSA:

The applicable DSA Sections of the CBC are beyond the scope of this supplement.

2.2 CRC:

The fischer FAZ II, FAZ II R, FAZ II HCR, and FAZ II Plus, FAZ II Plus R and FAZ II Plus HCR metric wedge anchors, described in Sections 2.0 through 7.0 of the evaluation report ESR-2948, comply with CRC Section R301.1.3, provided the design and installation are in accordance with the 2021 *International Building Code*® (IBC) provisions noted in the evaluation report and the additional requirements of CBC Chapters 16, 17 and 19, as applicable.

This supplement expires concurrently with the evaluation report, reissued January 2024.

DIVISION: 03 00 00—CONCRETE

Section: 03 16 00—Concrete Anchors

DIVISION: 05 00 00—METALS

Section: 05 05 19—Post-Installed Concrete Anchors

REPORT HOLDER:

fischerwerke GmbH & Co. KG

EVALUATION SUBJECT:

fischer FAZ II, FAZ II R, FAZ II HCR AND FAZ II PLUS, FAZ II PLUS R AND FAZ II PLUS HCR METRIC WEDGE ANCHOR FOR ANCHORING IN CRACKED AND UNCRACKED CONCRETE

1.0 REPORT PURPOSE AND SCOPE

Purpose:

The purpose of this evaluation report supplement is to indicate that fischer FAZ II, FAZ II R, FAZ II HCR metric wedge anchors in cracked and uncracked concrete, described in ICC-ES evaluation report ESR-2948, has also been evaluated for compliance with the codes noted below.

Applicable code editions:

- 2020 Florida Building Code—Building
- 2020 Florida Building Code—Residential

2.0 CONCLUSIONS

The fischer FAZ II, FAZ II R, FAZ II HCR metric wedge anchors in cracked and uncracked concrete, described in Sections 2.0 through 7.0 of the evaluation report ESR-2948, comply with the *Florida Building Code—Building* and the *Florida Building Code—Residential*, provided the design requirements are determined in accordance with the *Florida Building Code—Building* or the *Florida Building Code—Residential*, as applicable. The installation requirements noted in ICC-ES evaluation report ESR-2948 for the 2018 *International Building Code*® meet the requirements of the *Florida Building Code—Building* or the *Florida Building Code—Residential*, as applicable.

Use of the fischer FAZ II, FAZ II R, FAZ II HCR metric wedge anchors in cracked and uncracked concrete has also been found to be in compliance with the High-Velocity Hurricane Zone provisions of the *Florida Building Code—Building* and the *Florida Building Code—Residential* with the following condition:

- a) For connections subject to uplift, the connection must be designed for no less than 700 pounds (3114 N).

For products falling under Florida Rule 61G20-3, verification that the report holder's quality-assurance program is audited by a quality-assurance entity approved by the Florida Building Commission for the type of inspections being conducted is the responsibility of an approved validation entity (or the code official, when the report holder does not possess an approval by the Commission).

This supplement expires concurrently with the evaluation report, reissued January 2024.